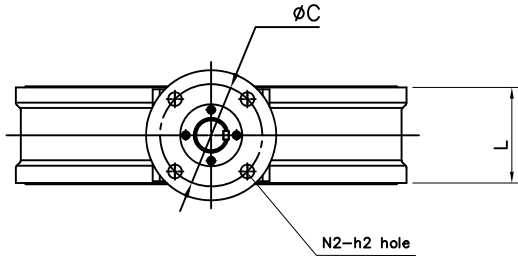
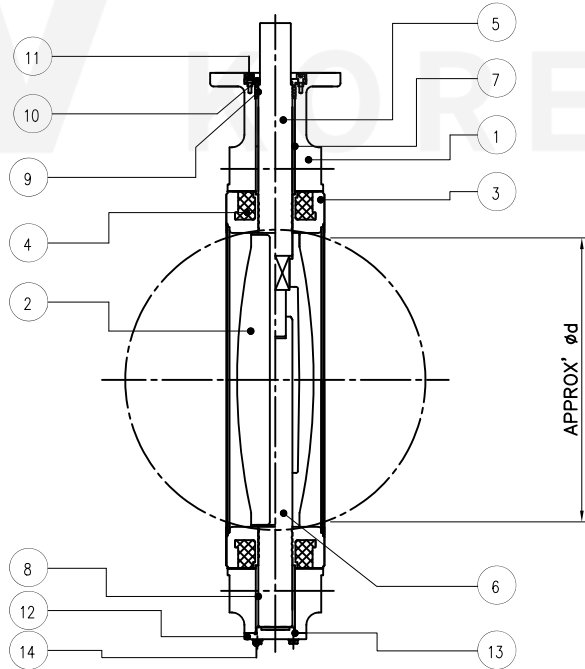
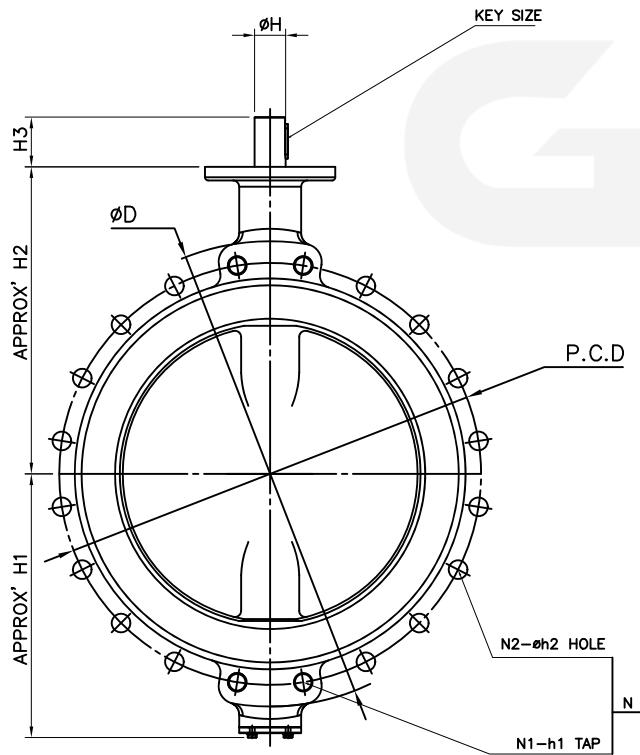


VALVE DIMENSIONS										Unit : mm	MODEL NO.  GVK-1000-SL-22
OUTSIDE DIAMETER	NOMINAL DIAMETER	L	FLANGE - 550A					REFERENCE			
			øD	P.C.D	n1-h1 Tap	n-øh	N	H1	H2	ød	
550(22")	500(20")	127	745	680	4-M30x3.5P	16-ø33	20	426	495	458	

TOP FLANGE DIMENSIONS-F16							Unit : mm
NOMINAL DIAMETER	NOMINAL DIAMETER	REFERENCE					
		øC	N2-h2 hole	H3	øH	key	
550(22")	500(20")	165	4-ø22	110	55	16x10	



FOR REFERENCE DRAWING



P.NO.	PART NAME	MATERIAL	Q'TY	REMARK
1	BODY	FCD 450	1	
2	DISC	SCS13	1	
3	SEAT	NBR	1	
4	SEAT RING	ALUMINUM	1	
5	MAIN STEM	A479 T420J2	1	
6	STUB STEM	A479 T420J2	1	
7	MAIN BUSH	BC	1SET	
8	STUB BUSH	BC	1SET	
9	PACKING RING	EPDM	1SET	
10	PACKING GLAND	A240 T 304	1	
11	PACKING GLAND BOLT	A193 B8	1SET	
12	END COVER	A240 T304	1SET	
13	END COVER O-RING	EPDM	1	
14	END COVER BOLT	A193 B8	1SET	

NOTES

- PRESSURE TEST
  - BODY : Working Pressure x 1.5 times
  - SEAT LEAK TEST : Working Pressure x 1.1 times
- BODY MARKING
 

LOGO
SIZE
RATING
MATERIAL
- FLANGE RATING : JIS 10K-550A
- FLANGE FACE : N/A
- NBR SEAT : INSERT CORDAGE FIBER
- OPTION : GEAR BOX

NO	DATE	DESCRIPTION	DRA.	DES.	CHK.	APP.
3						
2						
1						

TITLE		SPECIAL CONCENTRIC SEMI-LUG TYPE				
SUB.TITLE		DN550 JIS 10K				
DRA.	DES.	CHK.	APP.	SCALE	N.S	
JOO KIM	BS KIM	JH KIM	C.G LEE	DATE	2023.11.06	
				DWG/N	GVK-1000-2220-01	

**GV Korea Co., Ltd.**