

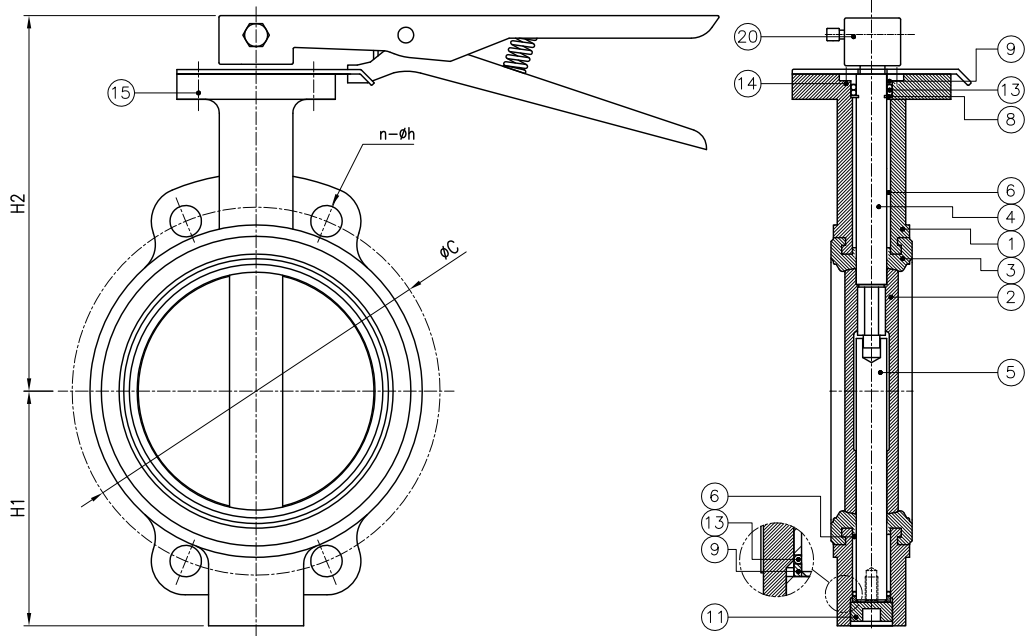
DIMENSIONS							UNIT: mm	MODEL No.
NOMINAL DIAMETER	L	FLANGE		REFERENCE				
		øC	n-øh	H1	H2	B		
50A(2")	43	MULTI	MULTI	70	161	265	G10-WM-02-L	
65A(2 1/2")	46			80	173	265	G10-WM-2.5-L	
80A(3")	46			102	183	265	G10-WM-03-L	
100A(4")	52			115	197	265	G10-WM-04-L	
125A(5")	56			140	211	265	G10-WM-05-L	
150A(6")	56			151	223	265	G10-WM-06-L	
200A(8")	60			180	263	400	G10-WM-08-L	

FLANGE RATING : MULTI(JIS 5&10K, PN6&10, 150LB)

P.NO	PART NAME	MATERIAL	Q'TY	REMARK
1	BODY	DUCTILE IRON CAST STEEL	1	FCI450, A395/536 SC480 A216 WCB
2	DISC	ST.ST. / ALBC	1	SCS13/14, ALBC NOTE.5
3	SEAT	RUBBER	1	NBR/EPDM/WITON NOTE.5
4	STEM (UPPER)	ST.ST.	1	SUS304/316/410 NOTE.5
5	STEM (LOWER)	ST.ST.	1	SUS304/316/410 NOTE.5
6	BUSH	BRONZE	1SET	(C83600)
8	ANTI-BLOW OUT RING	ST.ST.	1SET	(A240 T304)
9	GLAND RING	ST.ST.	1SET	(A240 T304)
11	BOTTOM COVER	ST.ST.	1	(A276 T304)
13	PACKING	RUBBER	1SET	-
14	GLAND BOLT	ST.ST.	1SET	(A193 B8)
15	ACTUATOR STAND BOLT	ST.ST.	1SET	(A193 B8)
20	LEVER	SS400	1	

NOTES

- The Flange rating on the drawing shall be in accordance with National Standard.  
The rating shall be provided conforming 5K/10K/16K for JIS B2220 5K/10K/16K, 150LB for ANSI B 16.5 150LB, PN6/10/16 for ISO 7005 PN6/10/16.
- VALVE TEST : AS PER JIS F7480  
- Shell Test (Working Pressure X 1.5)  
EX. JIS 5K : 7.5 kg/cm<sup>2</sup>  
- Seat Test (Working Pressure X 1.1)  
EX. JIS 5K : 5.5 kg/cm<sup>2</sup>
- Flange Finish  
- Wafer type : N/A  
- Lug type : RF  
- Flange type : FF
- Appearance of valve Flange rating Hole according to reference drawing
- Valve materials are subject to customer requirements.
- Please fill out the model number, flange Rating, and material on the order form



NO	DATE	DESCRIPTION	DRA.	DES.	CHK.	APP.
TITLE		CONCENTRIC WAFER TYPE MULTI				
SUB.TITLE		LEVER OPERATED BUTTERFLY VALVE				
DRA.	DES.	CHK.	APP.	SCALE	N. S	
J.H KIM		KEVIN.C	CG.LEE	DATE	2023.11.10	
				DWG/N	CWN0208ABA	

**GW Korea Co.,Ltd.**

DIMENSIONS										UNIT: mm	MODEL No.
NOMINAL DIAMETER	L	FLANGE		REFERENCE							
		$\phi C$	$n-\phi h$	H1	H2	H3	B	E	$\phi M$		
50A(2")	43	MULTI	MULTI	70	156	28	135	45	150	G10-WM-02-G	
65A(2 1/2")	46			80	168	28	135	45	150	G10-WM-2.5-G	
80A(3")	46			102	178	28	135	45	150	G10-WM-03-G	
100A(4")	52			115	193	28	135	45	150	G10-WM-04-G	
125A(5")	56			140	205	28	135	45	150	G10-WM-05-G	
150A(6")	56			151	218	28	135	45	150	G10-WM-06-G	
200A(8")	60			180	266	36	205	65	200	G10-WM-08-G	
250A(10")	68			216	306	36	205	65	200	G10-WM-10-G	
300A(12")	78			250	346	36	205	65	200	G10-WM-12-G	
350A(14")	78			276	371	36	205	65	200	G10-WM-14-G	

FLANGE RATING : MULTI(JIS 5&10K, PN6&10, 150LB)

P.NO	PART NAME	MATERIAL	Q'TY	REMARK
1	BODY	DUCTILE IRON CAST STEEL	1	FC450, A395/536 SC480 A216 WCB
2	DISC	ST.ST. / ALBC	1	SCS13/14, ALBC NOTE.5
3	SEAT	RUBBER	1	NBR/EPDM/WITON NOTE.5
4	STEM (UPPER)	ST.ST.	1	SUS304/316/410 NOTE.5
5	STEM (LOWER)	ST.ST.	1	SUS304/316/410 NOTE.5
6	BUSH	BRONZE	1SET	(C83600)
8	ANTI-BLOW OUT RING	ST.ST.	1SET	(A240 T304)
9	GLAND RING	ST.ST.	1SET	(A240 T304)
11	BOTTOM COVER	ST.ST.	1	(A276 T304)
13	PACKING	RUBBER	1SET	NBR
14	GLAND BOLT	ST.ST.	1SET	(A193 B8)
15	ACTUATOR STAND BOLT	ST.ST.	1SET	(A193 B8)
20	GEAR BOX	ASS'Y	1	

NOTES

- The Flange rating on the drawing shall be in accordance with National Standard.  
The rating shall be provided conforming 5K/10K/16K for JIS B2220 5K/10K/16K, 150LB for ANSI B 16.5 150LB, PN6/10/16 for ISO 7005 PN6/10/16.
- VALVE TEST : AS PER JIS F7480  
- Shell Test (Working Pressure X 1.5)  
EX. JIS 5K : 7.5 kg/cm<sup>2</sup>  
- Seat Test (Working Pressure X 1.1)  
EX. JIS 5K : 5.5 kg/cm<sup>2</sup>
- Flange Finish  
- Wafer type : N/A  
- Lug type : RF  
- Flange type : FF
- Appearance of valve flange rating Hole according to reference drawing
- Valve materials are subject to customer requirements.
- Please fill out the model number, flange Rating, and material on the order form

NO	DATE	DESCRIPTION	DRA.	DES.	CHK.	APP.
TITLE		CONCENTRIC WAFER TYPE MULTI				
SUB.TITLE		GEAR OPERATED BUTTERFLY VALVE				
DRA.	DES.	CHK.	APP.	SCALE	N. S	
J.H KIM		KEVIN.C	CG.LEE	DATE	2023.11.10	
				DWG/N	CWN0214ACA	

**GW Korea Co.,Ltd.**

4

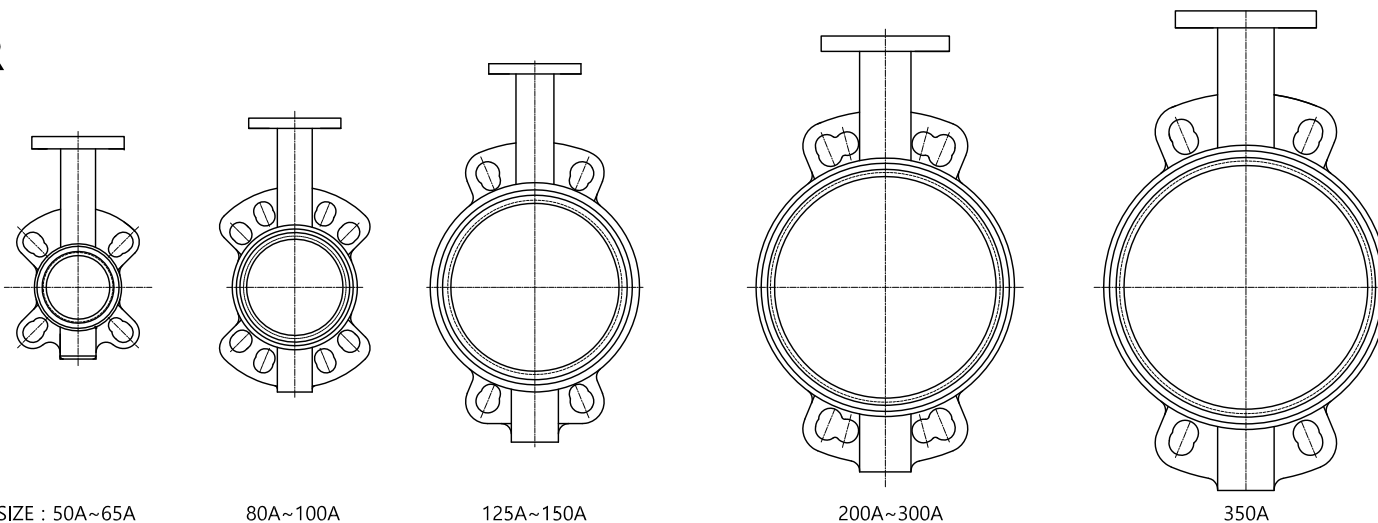
3

2

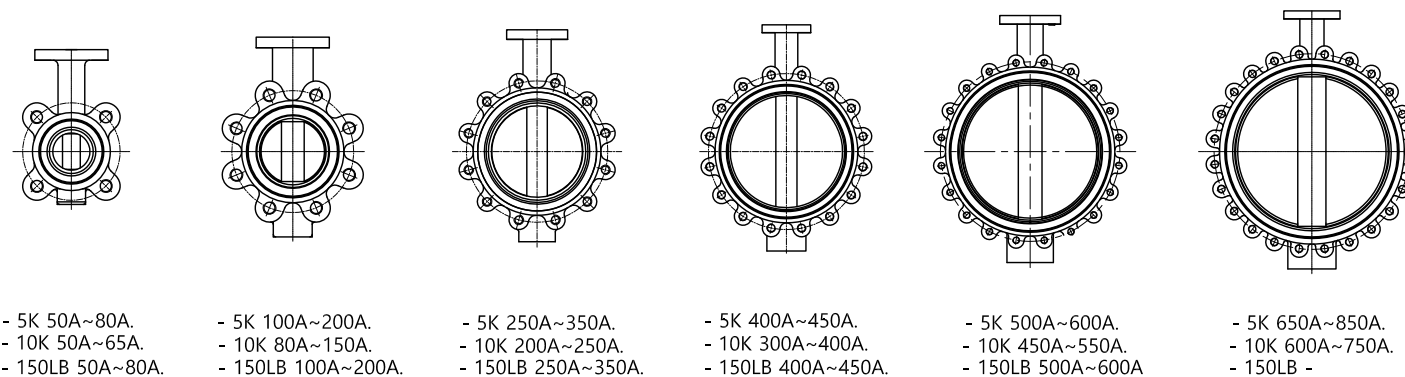
1

### <REFERCNC FOR VALVE OUT DRAWING>

## WAFER



## LUG



NO	DATE	DESCRIPTION	DRA.	DES.	CHK.	APP.
TITLE		CONCENTRIC REFERENCE DRAWING				
SUB.TITLE		CONCENTRIC BUTTERFLY VALVE				
DRA.	DES.	CHK.	APP.	SCALE	N. S	
J.H KIM		KEVIN.C	CG.LEE	DATE	2022.04.27	
				DWG/N	REF-OUT-RO	

**GW Korea Co.,Ltd.**